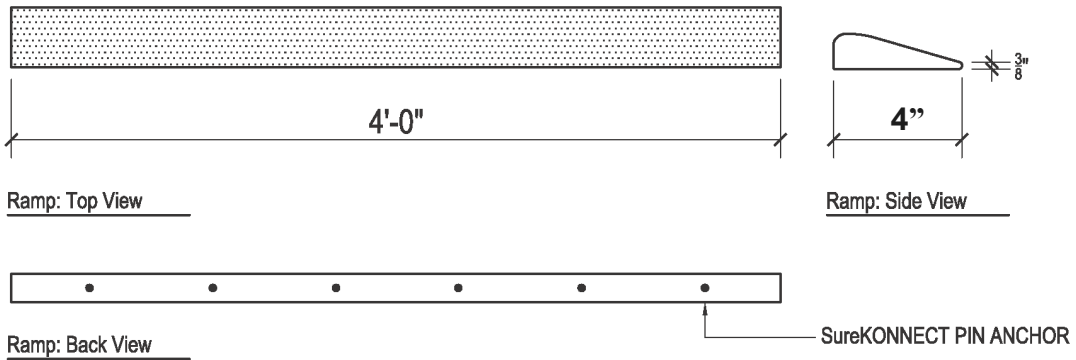




DETAIL 7: PEREMITER TRANSTION TILE



DETAIL #9: PERIMETER TRANSITION TILE

Thickness	CRITICAL FALL HEIGHT	REVISIONS			
		REV	DESCRIPTION	DATE	APPROVAL
1.00"	2.0'	0	Original	6.22.10	
File Name Detail 9	Prepared By: W.B.				
SHEET	SCALE N.T.S.	DWG No.	FSCM No.		